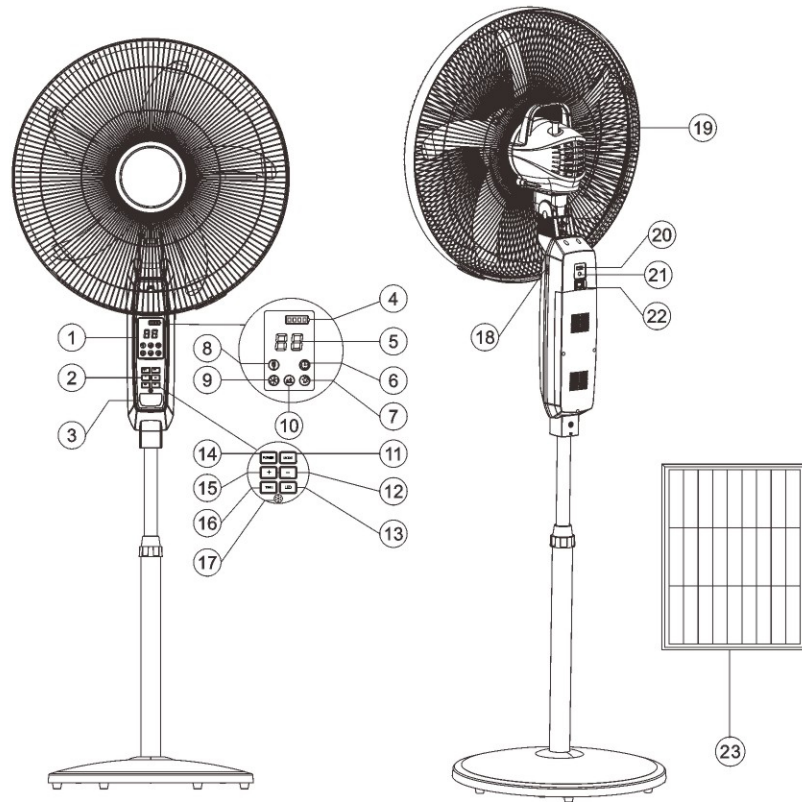


marvel[®] Tech

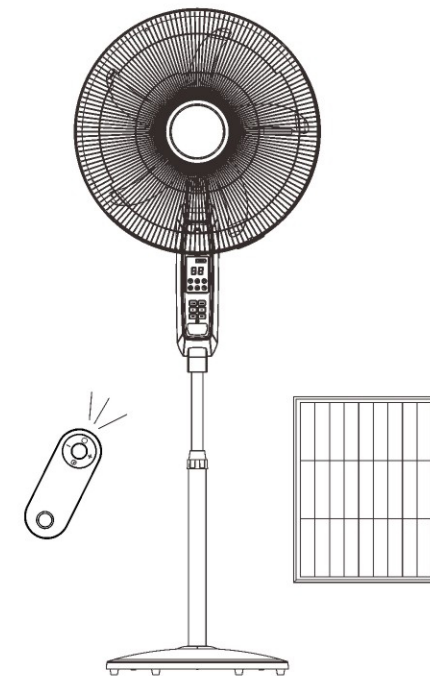
MODEL:MF-04-18 SP

INSTRUCTION MANUAL RECHARGEABLE FLOOR FAN



NAME OF PARTS

- | | | |
|--------------------------|---------------------------|-----------------------|
| 1. LED DISPLAY | 10. NATURE STATE | 18. AC CHARGE |
| 2. FUNCTION BUTTON | 11. MODE BUTTON | 19. SHAKING SWITCH |
| 3. LED LIGHT | 12. DECREASE SPEED BUTTON | 20. USB CHARGE |
| 4. POWER INDICATOR | 13. LED SWITCH | 21. DC CHARGE |
| 5. LCD DISPLAY | 14. FAN SWITCH | 22. POWER MAIN SWITCH |
| 6. TIMER INDICATOR | 15. INCREASE SPEED BUTTON | 23. Solar Panel |
| 7. SLEEP STATE | 16. TIMER BUTTON | |
| 8. CHARGE INDICATOR | 17. REMOTE RECEIVE HOLE | |
| 9. FAN WORKING INDICATOR | 18. AC CHARGE | |





Thank you for using our product, please read the instruction manual carefully before initial use.

IMPORTANT NOTICE

Please refer to the instruction manual before use.

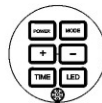
- 1.This appliance is not intended for use by person (including children) with reduced physical, sensory or mental capabilities, or lack of experience and knowledge, unless they have been given supervision or instruction concerning use of the appliance by a person responsible for their safety.
- 2.Children should be supervised to ensure that they do not play with the appliance.
3. Supply cord: If the supply cord is damaged, it must be replaced by the manufacturer, its service agent or similarly qualified persons in order to avoid a hazard.
- 4.Fully charge the product before use. Read "HOW TO CHARGE".
- 5.Switch off the product during storage. Periodically charge the product at least 8 hours every three months when storage.
- 6.Keep out of water or rain for proper use. The perfect working temperature is between 0 C and 40 C.
- 7.Once the product is out of operation, do not open or repair unless the qualified person.

HOW TO OPERATE

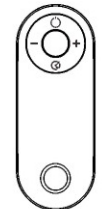
- 1.Press the fan power main switch and power indicator turn blue and the fan is standby.Press the fan switch and turn on the fan press again and turn off the fan.
- 2.When the fan working press the + to increase the speed and press – to decrease the speed,the LCD display will show the speed level.
- 3.When the fan in standby state press the LED switch the light will turn on and press again the light will turn off.
- 4.When the fan working press the timer button and the LCD shaking,press the + or – to adjust this.
- 5.When press the shaking switch and the fan is shaking head then pull up the switch the fan is not shaking.
- 6.The fan have overcharge protect function and when the battery are lower the voltage the fan will not working.Please charging the battery.
- 7.How to use remote,when first time using pls take out the silce.Like drawing 2 press the remote  button to turn on the fan and press the +/- to adjust the speed.Press the  button to set the state and press the +/- to adjust the timer time.

HOW TO CHARGE

- 1.Make sure the power supply is consistent with the rating of product before charging.
2. Plug in DC socket, the charge indicator is lighting up.
- 3.the DC charge is for power supply function
- 4.the USB charge is for mobile charge function.



Drawing 1



Drawing 2

TECHNICAL DATA

- 1.Voltage: 110-220V 50-60Hz
- 2.Battery: 2x6V 4.5Ah lead-acid rechargeable battery
- 3.LED : 4pcs bright LED
- 4.Charge time: 12-15 hours
- 5.Duration time: DC high speed: 2 hours
DC middle speed: 6 hours
DC Low speed:50 hours
LED:50 hours
6. Dimension: 516X400X1450 mm

Correct Disposal of this product



This marking indicates that this product should not be disposed with other household wastes. To prevent possible harm to the environment or human health from uncontrolled waste disposal, recycle it responsibly to promote the sustainable reuse of material resources. To return your used device, please use the return and collection systems or contact the retailer where the product was purchased.